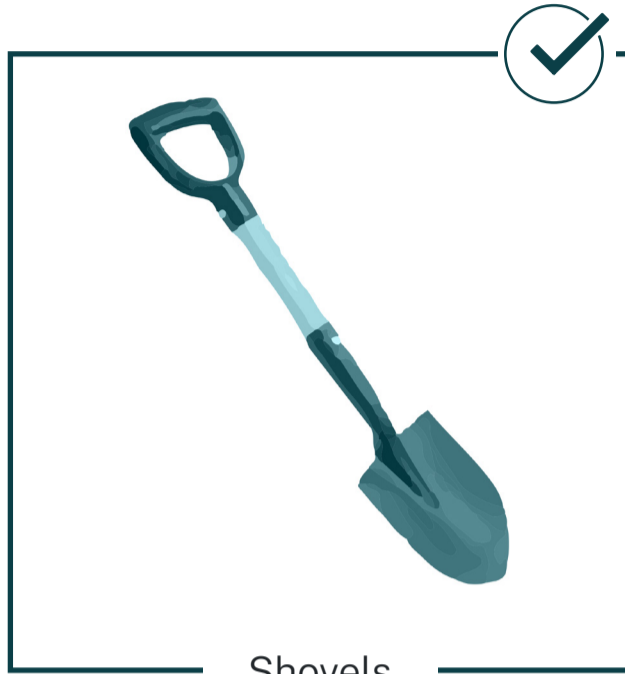


# What fossicking equipment is permitted in NSW?

This is not an exhaustive list of all permitted equipment.



Hammers



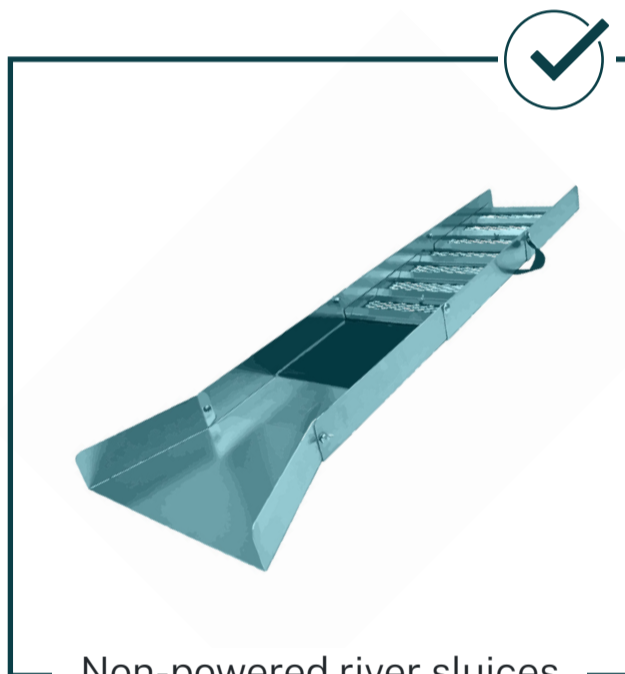
Shovels



Picks



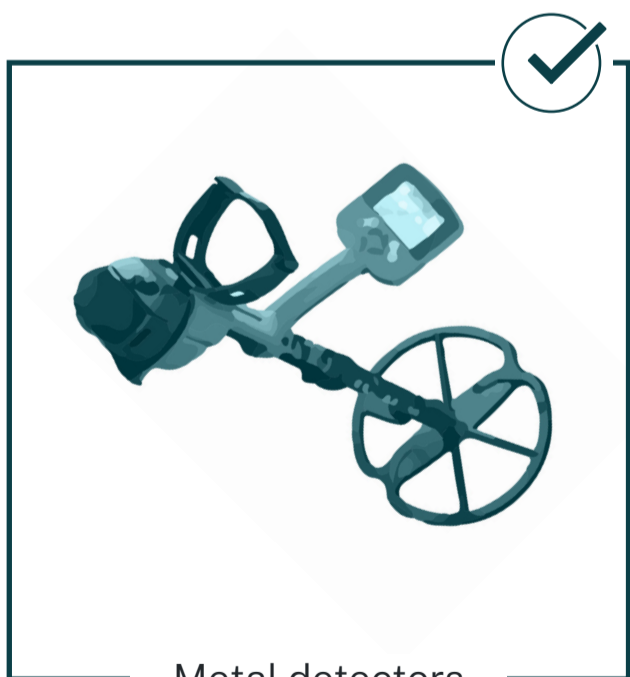
Sieves



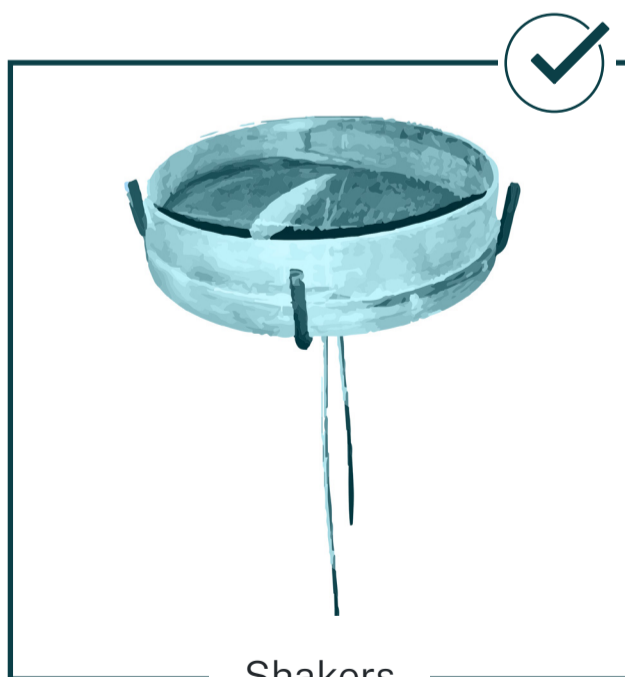
Non-powered river sluices



Pans



Metal detectors



Shakers



To report illegal fossicking call

**1300 814 609**

For further guidance, visit [resourcesregulator.nsw.gov.au](https://resourcesregulator.nsw.gov.au)

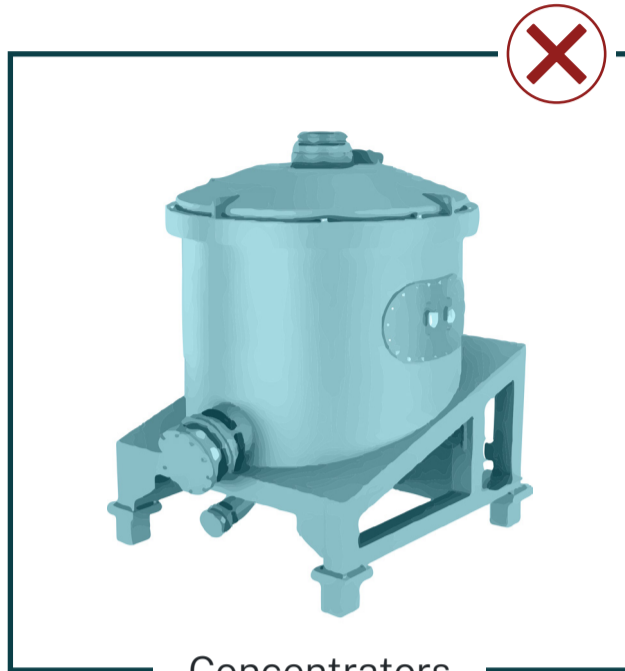


# What fossicking equipment is NOT permitted in NSW?

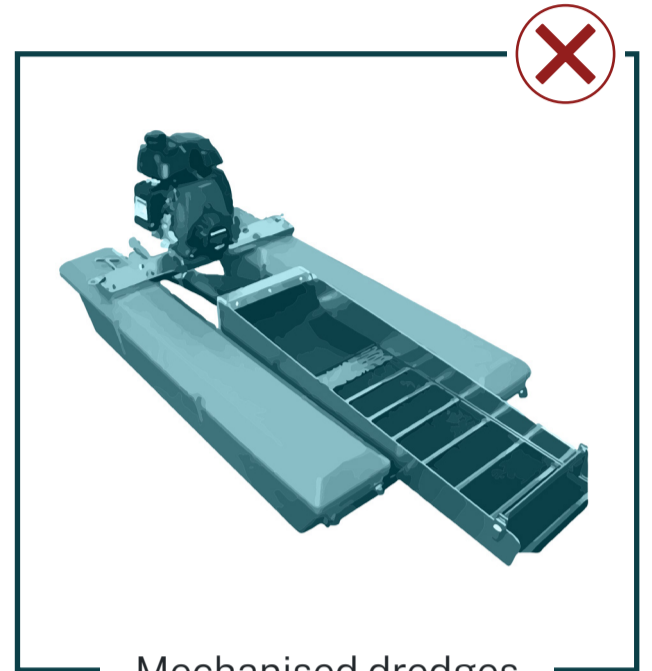
This is not an exhaustive list of all prohibited equipment.



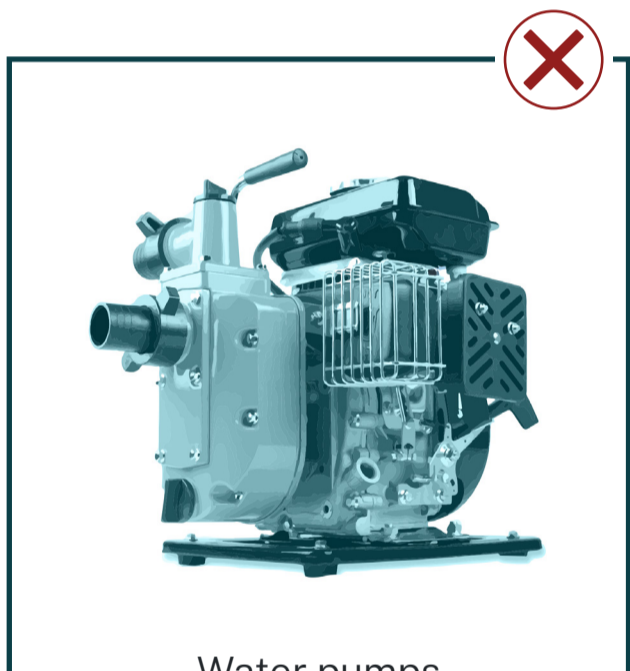
Mobile plant (backhoes, dozers, excavators)



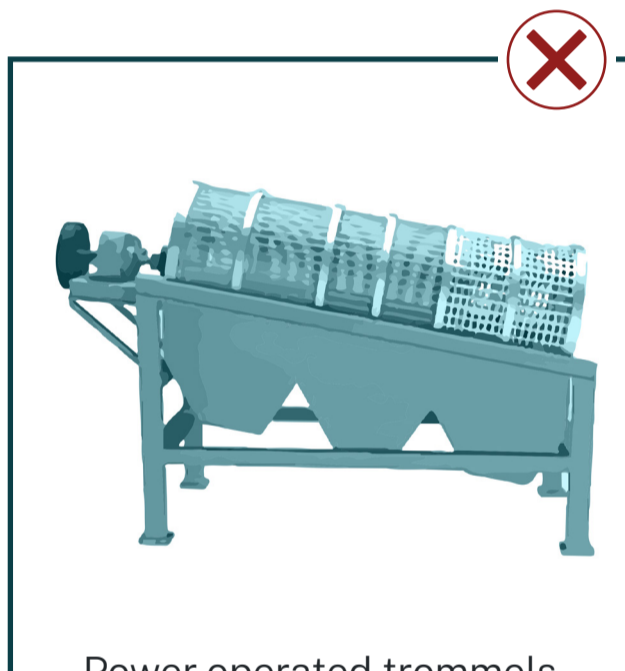
Concentrators



Mechanised dredges



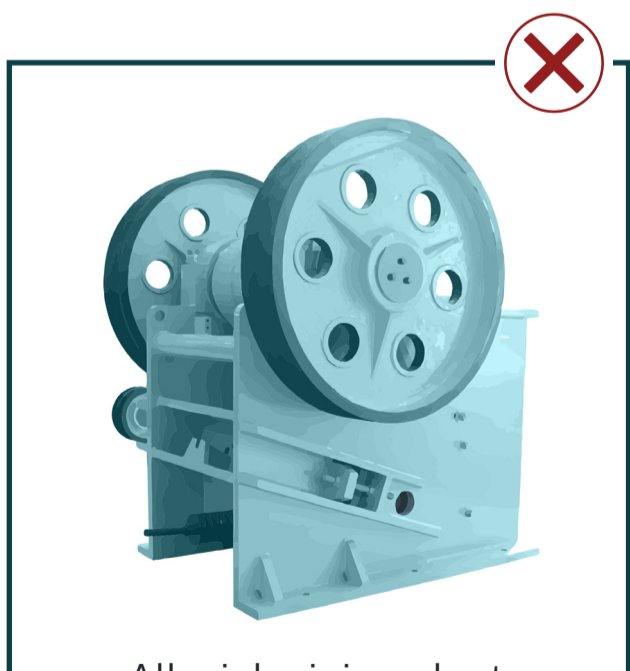
Water pumps



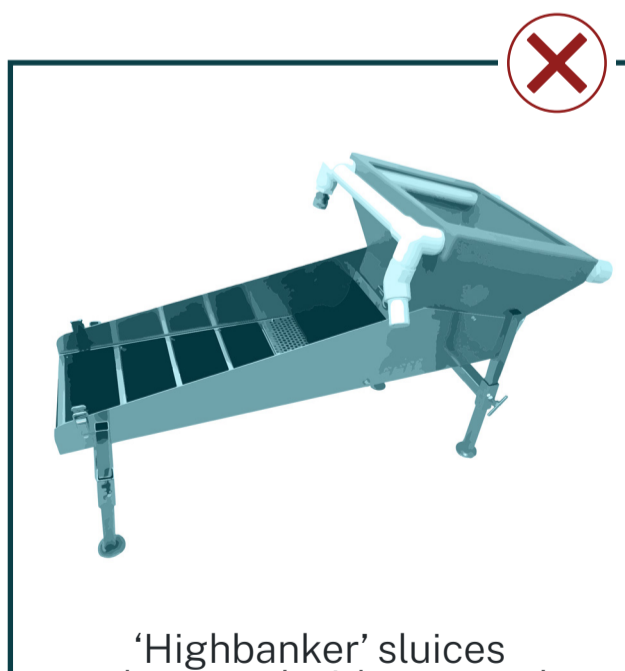
Power operated trommels



Jack hammers



Alluvial mining plant



'Highbanker' sluices when used with powered water pumps



Powered gold wheels



To report illegal fossicking call

**1300 814 609**

For further guidance, visit [resourcesregulator.nsw.gov.au](https://resourcesregulator.nsw.gov.au)

